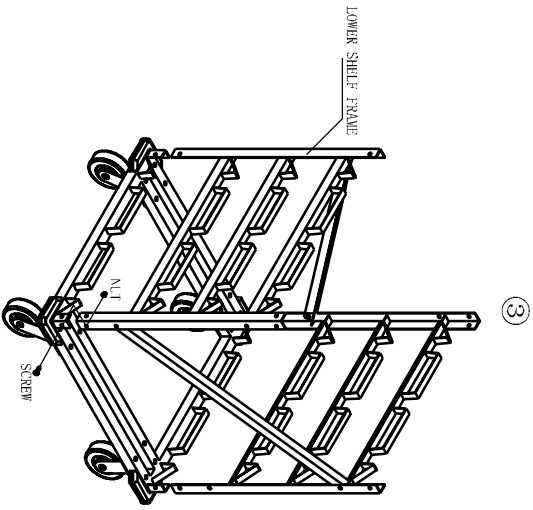
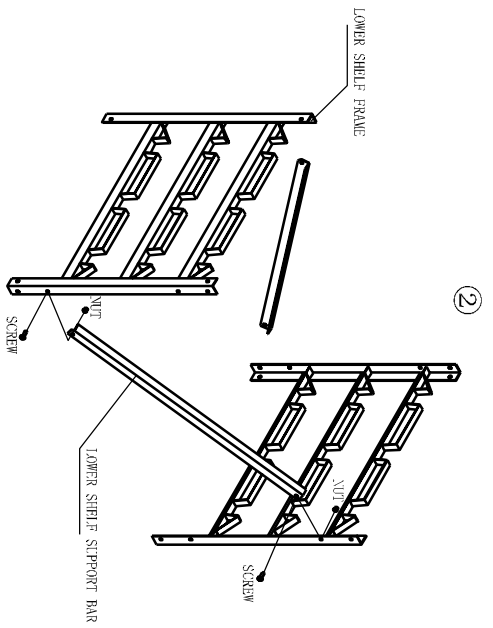


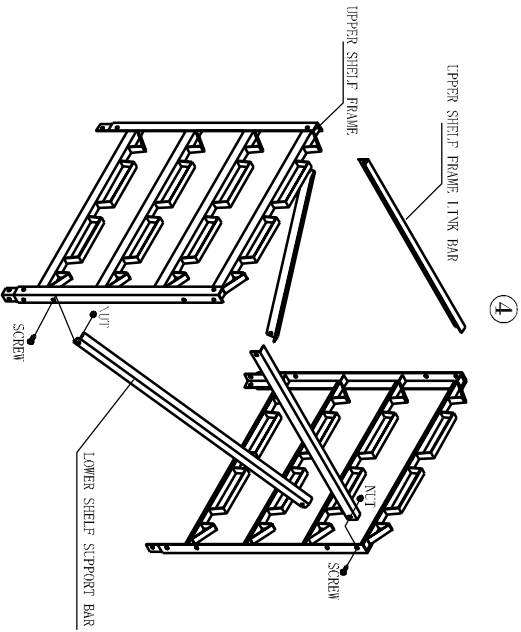
1. TAKE ONE BASE FRAME, ONE SET OF WHEELS.
2. USE SCREWS AND NUTS TO FIX WHEELS ON THE BASE FRAME.



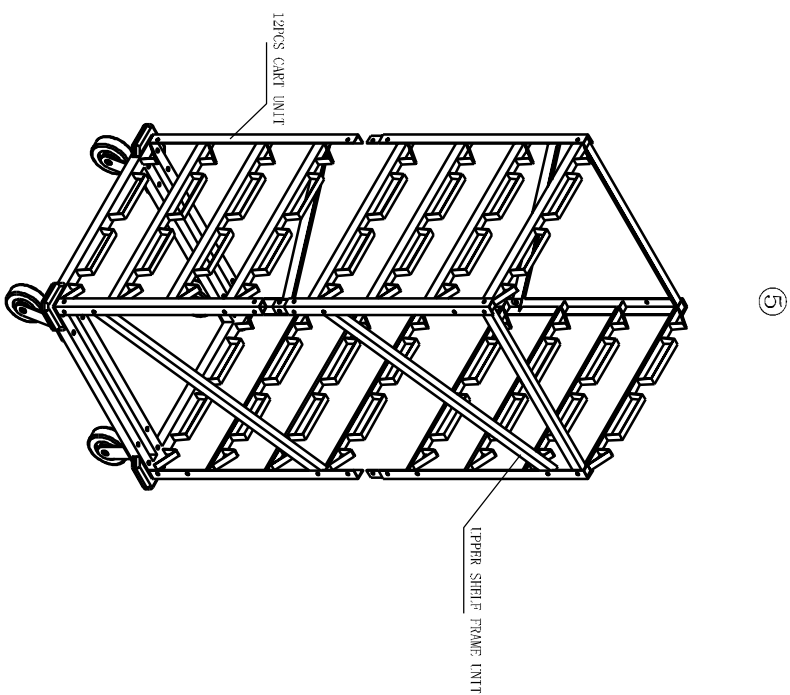
1. TAKE ONE SET BASE FRAME UNIT, ONE SET LOWER SHELF FRAME UNIT
2. USE SCREWS AND NUTS TO FIX LOWER SHELF FRAME UNIT ON BASE FRAME UNIT.
3. TAKE TWO LINK BARS, INSTALLED ON THE TOP OF CART FRAME, 12PCS CART ASSEMBLING FINISHED



1. TAKE TWO LOWER SHELF FRAMES AND TWO SUPPORT BARS
2. USE SCREWS AND NUTS TO FIX SUPPORT BARS ON THE LOWER SHELF FRAME



1. TAKE TWO UPPER SHELF FRAMES, TWO SUPPORT BARS, TWO LINK BARS
2. USE SCREWS AND NUTS TO FIX SUPPORT BAR ON UPPER SHELF FRAME
2. USE SCREWS AND NUTS TO FIX LINK BAR ON UPPER SHELF FRAME



1. TAKE ONE SET UPPER FRAME UNIT, ONE SET LOWER SHELF FRAME UNIT, ONE SET BASE FRAME UNIT
2. USE SCREWS AND NUT TO FIX THEM TOGETHER
3. FASTEN ALL SCREWS, ASSEMBLING FINISH