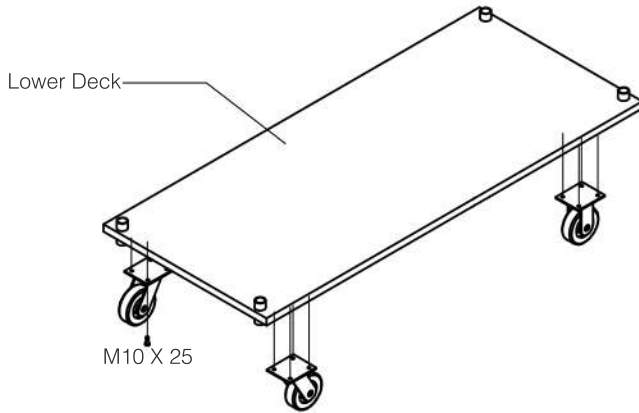
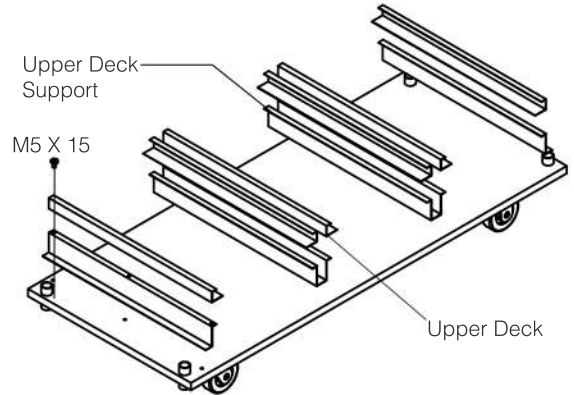


WeatherMaster Storage Cart Assembly Instructions



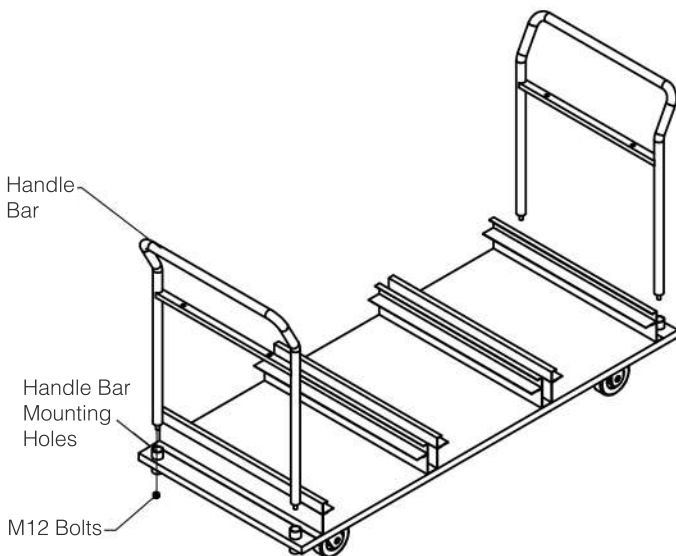
1

Attach the 4 wheels to the bottom of the lower deck using the M10x25 bolts making sure the wheel plates are facing in the correct direction. Tighten and check all bolts.
NOTE: There are two locking wheels and two standard wheels. Attach both locking wheels at one end, not diagonally across from each other.



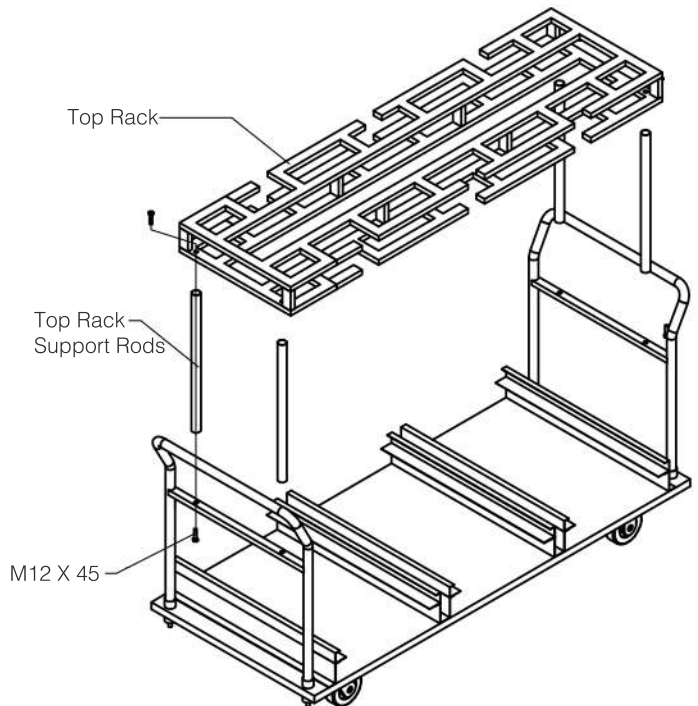
2

1. Set the lower deck on its wheels
2. Using M5x15 bolts attach the upper decks to the deck supports.
3. Tighten and check all bolts.



3

Fit the handlebars into the handlebar mounting holes at each end of the lower deck and attach using M12 bolts. Tighten and check all bolts.



4

1. Attach the four top rack support rods to the handlebar cross beams using M12 X 45 bolts.
2. Position the top rack onto the four support rods and attach using M12 X 45 bolts. Tighten and check all bolts.

! Check that all bolts are tight before use

WeatherMaster Storage Cart Loading Instructions

WeatherMaster 250 & 300



1. On one side of the cart load three posts upside down into the receiver slots with the bases **above the upper rail**. Slide each post to the side so it is held securely in the receiver slot.

2. On the same side load 3 posts along the length of the cart standing upright on the **upper decks** beneath the hanging posts.

3. On the other side of the cart load 3 posts upside down into the receiver slots with the bases **between the upper and lower rail**. Slide each post to the side so it is held securely in the receiver slot.

4. On the same side load 3 posts along the length of the cart standing upright on the **lower deck** beneath the hanging posts.

WeatherMaster 335



1. Load 4 posts upside down into the center slot of the top rail.

2. On each side of the **lower deck** load 3 posts upright along the length of the cart. Bases should be positioned with the flat edges meeting in the center of the deck.

Note: Bases on both sides of the cart will overhang the deck by about 1"